

# LH-934FK

## Outdoor Wide-Angle Passive Infrared Detector

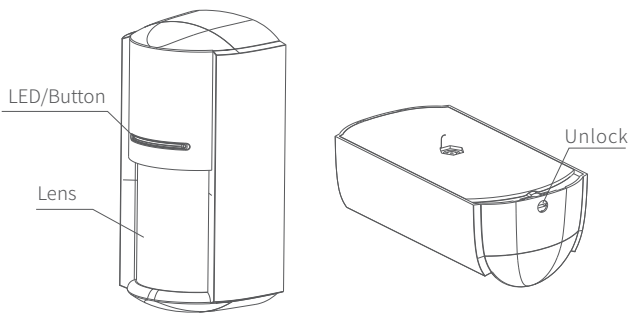
This product is an outdoor wide-angle passive infrared detector with beautiful and smooth appearance. It is suitable to be used in balcony, window, corridor and other locations for security precautions. Its circuit has the functions, such as, anti-RF interference and automatic temperature compensation. It can quickly react human intrusion and transmit an alarm signal to alarm panel. This product complies with European standard: EN50131-2-4.

### Packing List

Please confirm the device is complete after you open the packing, and check the parts as below:

- Manual (×1)
- Detector (×1)
- Expansion Tube (×2)
- Screw (×2)

### Product Diagram



### Specification

Working Voltage	DC 3V(CR123A)
Working Current	50 mA
Static Current	≤45uA
Working Temperature	-10°C~+55°C
Working Humidity	≤95%RH, No condensation
Detection Range	16m(wall mounted)
Detection Angle	90°
Wireless Protocol	868/433Mhz
Wireless Distance	800m/400m (Open Area)
Pet Immunity	35KG
Battery Life	5 Years
Dimension	153×80×58mm

### Usage

#### 1. Install Secusystem APP

Scan the QR code to download "Secusystem" APP, or search "Secusystem" APP in Google Play Store or App Store then install.



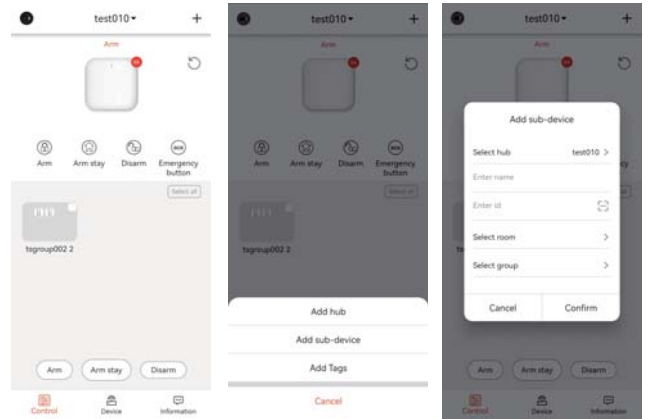
iOS APP



Android APP

#### 2. Add device

- (1) Open the APP and follow the alarm panel user guide to add the panel to the APP.
- (2) After the panel is successfully bound, click "+" > "Add Device" > "Scan Device QR Code" and press the prompt to proceed with the subsequent operations, as shown in the screenshots.



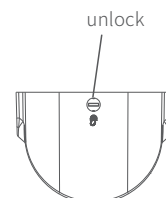
- (3) Press the device indicator light for 3 seconds. The green light will flash, and the device will enter enrolling mode.
- (4) Wait for the alarm panel to be successfully added. After success, the panel will emit a "ding dong" sound. If it fails, please try the above steps again.

#### 3. Function Introduction

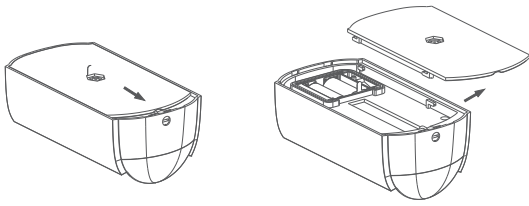
- (1) This product needs to be paired with an alarm panel. When using this product or replacing the alarm panel for the first time, it is necessary to configure with alarm panel.
- (2) Please follow the steps of adding device to add this product to the alarm panel.
- (3) This product has a low voltage reminder function. When the battery voltage of the product is low, the sensor will send a low voltage reminder to the panel.
- (4) This product has sensitivity adjustment function and can be configured through the APP.
- (5) The heartbeat configuration function of this product can be configured through the APP 36-128S.
- (6) This product has anti-tamper function. When the device is disassembled, it will flash red light once and send alarm information to the panel.

### Installation

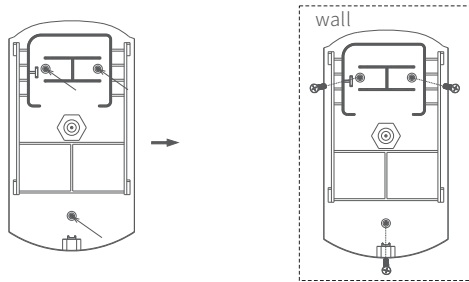
1. Unlock: Insert a small flat-head screwdriver into the groove and rotate 180°.



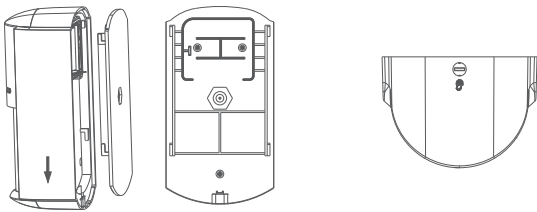
2. Push the installation plate down and remove it in the direction of the arrow.



3. Drill three mounting holes as shown in the picture, and fix the mounting plate on the wall with screws.

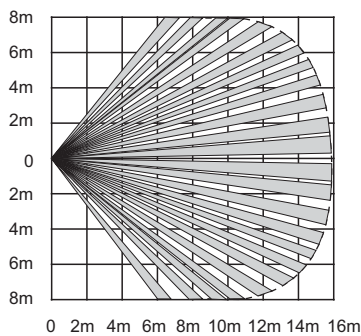


4. Choose the wall mounting position, hang the detector on the installation plate, pull it down into place in the direction of the arrow, and rotate it 180° by inserting a small flat-head screwdriver into the groove.

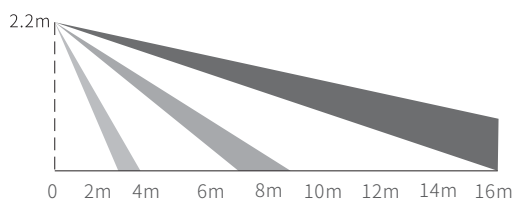


## Detection Range

Vertical view

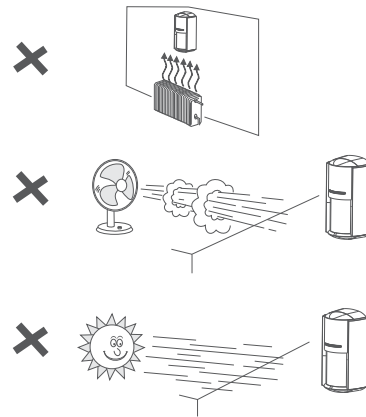


Side view



 The installation height is 1.8m-2.2m.

## Note



1. This product is only for outdoor use. Please follow the instructions to install and use the product correctly. Do not touch the lens to avoid affecting the sensitivity of the product, if cleaning the lens, please disconnect the power and use a soft cloth dipped in a little alcohol then wipe. Please avoid using it in environments with significant temperature changes.

2. The installation location should avoid being close to air conditioners, electric fans, refrigerators, ovens, and those that can cause temperature changes, avoid direct sunlight on the product.

3. This product can prevent accidents from occurring, but it cannot guarantee safety. For safety reasons, except using this product properly, please be vigilant and strengthen safety prevention awareness in daily life.

## Warranty

Dear user, thank you for choosing our products, please read the following carefully before installing and using this product:

1. The warranty period of this product is within 1 year from the date of purchase, and our company will provide free repairs for any faults caused by the quality problems of the product itself under normal use. If you have any quality problems with the product within seven days from the date of purchase, you can enjoy free exchange.

2. The following conditions are not covered by the warranty:

- Malfunctions or defects caused by improper use environment or conditions;
- Other faults or damages not caused by the design, technology, production, quality and other problems of the product itself;
- Faults or defects caused by the use of third-party products, software or components;
- Malfunctions or defects caused by improper installation, misuse, unauthorized repair, modification, accident, force majeure or other external causes;
- The product is out of warranty.